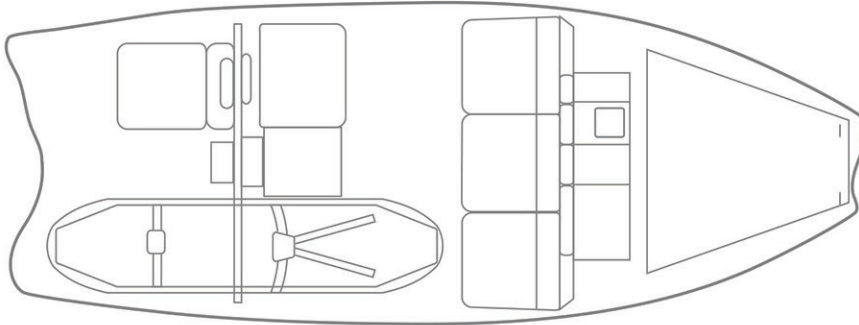


BELL 407

Spectrum Aeromed is recognized as a world leader in creating customized and durable, highly functional air medical transport equipment that complies with aviation regulations. All engineering and design of our air ambulance life support systems comes from working hand-in-hand with air medical personnel worldwide.



System Overview:

- High quality, durable design and cost-effective installation
- Single and Dual Patient applications
- Co-pilot seat removal required

System Features & Options:

- Stretcher deck and pivot deck attaches to existing mounting points in the aircraft
- Medical panel can replace the original hat bin
- Customer stretcher specifically designed for patient comfort
- "D" cylinder storage available
- Infant Transport System can be used
- Component rack in the baggage area with oxygen tank, inverter, and air or vacuum pump



Equipment rack installed



Stretcher on pivot – sliding into aircraft



Component rack

1815 23rd Avenue North • Fargo, ND 58102

+701.235.5478 • Toll Free: 1.800.753.4340 • Fax: +701.235.5486

Email: Aeromed@Spectrum-Aeromed.com • www.Spectrum-Aeromed.com



SPECTRUM
Aeromed > Supporting life.